

MX002707
 MX001827
 MX3132
 MX002064

AdvanceDrive™ Wheel

Another HySecurity Innovation



 SlideDriver™

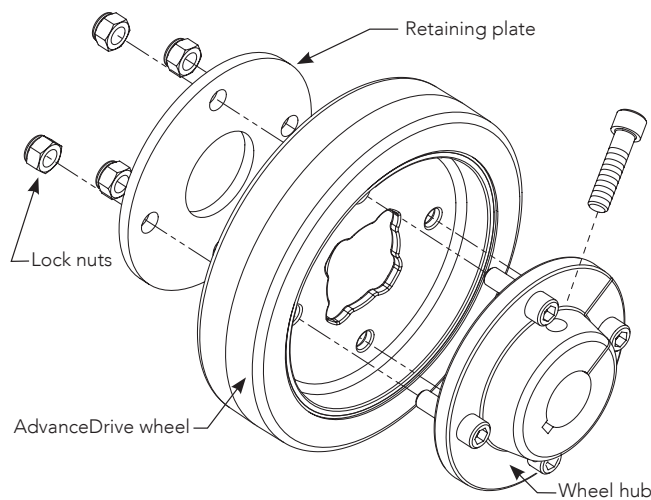
Easy Installation and Ultra Reliable Wheels

Save time and money with SlideDriver's innovative AdvanceDrive Wheel. This wheel and hub system replaces the former drive wheel unit making wheel replacement simpler, less time consuming and less expensive. With proper gate maintenance, the AdvanceDrive wheels should last longer than those they replace.

The AdvanceDrive wheel is both mechanically and chemically bonded to its high-tech composite center, drastically reducing the possibility of tread delamination and greatly increasing wheel life.

AdvanceDrive™ Wheel Benefits

- **High-tech design** eliminates the need for a wheel collar
- **Longer life**
- **Increased reliability** with high quality-controlled manufacturing
- **Field and factory proven** under brutal conditions
- **Simple, quick and inexpensive** replacement
- **Retrofit** – Buy the wheel and hub system once - only the wheel gets replaced the next time, reducing cost
- **Two year limited warranty**



AdvanceDrive™ Wheel

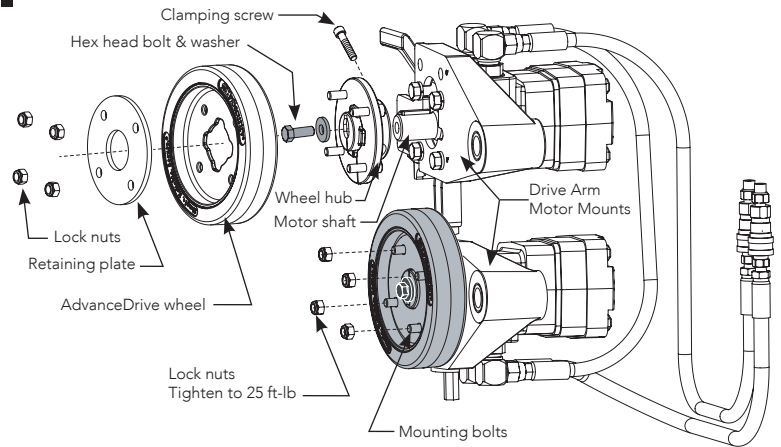
OPERATOR COMPATIBILITY:

SlideDriver 15, SlideDriver 40, SlideDriver 30F

- 6 inch AdvanceDrive Wheel assembly MX002707
- 6 inch AdvanceDrive Wheel replacement MX001827

SlideDriver 80, SlideDriver 200, SlideDriver 50VF2/3

- 8 inch AdvanceDrive Wheel assembly MX3132
- 8 inch AdvanceDrive Wheel replacement MX002064



		FAST		FAST		
	1,500 lb (680 kg) gates 1 ft/s (30 cm/s)	3,000 lb (1,361 kg) gates 1.7 ft/s (50 cm/s)	4,000 lb (1,814 kg) gates 1 ft/s (30 cm/s)	5,000 lb (2,268 kg) gates 2.2 ft/s (70 cm/s) or 3 ft/s (91 cm/s)	8,000 lb (3,629 kg) gates 1 ft/s (30 cm/s)	20,000 lb (9,072 kg) gates 1 ft/s (30 cm/s)
Model	SlideDriver 15	SlideDriver 30F	SlideDriver 40	SlideDriver 50VF2/3	SlideDriver 80	SlideDriver 200
Part #	222 SS ST	222 EX 1.7 ST	222 E ST	222 X3 ST	222 X1 ST	444 XS ST
Duty Cycle	Continuous					
Horsepower	1 hp	2 hp	1 hp	2 hp	2 hp	5 hp
Drive	Hydraulic					
Drive Wheels	Two 6 inch (15 cm) AdvanceDrive wheels	Two 6 inch (15 cm) AdvanceDrive wheels	Two 6 inch (15 cm) AdvanceDrive wheels	Two 8 inch (20 cm) AdvanceDrive wheels	One 8 inch (20 cm) AdvanceDrive wheel, One 8 inch XtremeDrive wheel and 27 ft (8 m) of rack	Two 8 inch (20 cm) AdvanceDrive wheels, Two 8 inch XtremeDrive wheels and 52 ft (16 m) of rack
Gate Weight Max.	1,500 lb (680 kg)	3,000 lb (1,361 kg)	4,000 lb (1,814 kg)	5,000 lb (2,268 kg)	8,000 lb (3,629 kg)	20,000 lb (9,072 kg)
Gate Length Max.	Limited only by weight					
Drawbar Pull	300 lb (136 kg)	300 lb (136 kg)	300 lb (136 kg)	300 lb (136 kg)	600 lb (272 kg)	1,200 lb (544 kg)
Rate of Travel	1 ft/s (30 cm/s)	1.7 ft/s (50 cm/s)	1 ft/s (30 cm/s)	Field adjustable, 2.2 ft/s (70 cm/s) or 3 ft/s (91 cm/s) Emergency Fast Close 3 ft/s (91 cm/s)	1 ft/s (30 cm/s)	1 ft/s (30 cm/s)
Temperature Rating	-40° F to 158° F (-40° C to 70° C) No heater necessary					
1 Phase Power	115/208/230V 60 Hz 110/220V 50 Hz***	208/230V 60 Hz 220V 50 Hz***	115/208/230V 60 Hz 110/220V 50 Hz***	208/230V 60/50 Hz	208/230V 60 Hz 220V 50 Hz***	230V 60 Hz 220V 50 Hz***
3 Phase Power	208/230/460V or 575V 60Hz; 220/380/440V 50Hz***			208/230V 60/50Hz or 380/460V 60/50Hz	208/230/460V or 575V 60Hz; 220/380/440V 50Hz***	
Communication	RS-232, RS-485, Ethernet/fiber using optional HyNet™ Gateway accessory					
User Controls	Smart Touch Controller with 70+ configurable settings. Smart Touch keypad and display or a PC using S.T.A.R.T. software.					
Relays	Three configurable user relays: one 30VDC, 3A solid state and two 250VAC, 10A electromechanical; Optional Hy8Relay™ for 8 additional relay outputs					
Finish	Zinc plated with powder coating					
Listed to UL325	Usage Class I, II, III, IV	Usage Class III, IV	Usage Class I, II, III, IV	Usage Class III, IV	Usage Class III, IV	Usage Class III, IV
Warranty	5 year					

UPS Backup Power Options and Additional Models

DC Power Supply*	SlideDriver 15 UPS	SlideDriver 30F UPS	SlideDriver 40 UPS	-	SlideDriver 80 UPS	SlideDriver 200 UPS**
AC Power Supply with HyInverter*	SlideDriver 15 with HyInverter	-	SlideDriver 40 with HyInverter	SlideDriver 50VF2/3 with HyInverter	-	-
Correctional Facility	-	SlideDriver 30F-C	SlideDriver 40-C	SlideDriver 50VF2/3-C	SlideDriver 80-C	SlideDriver 200-C
Modular	SlideDriver 15-M	SlideDriver 30F-M	SlideDriver 40-M	SlideDriver 50VF2/3-M	SlideDriver 80-M	SlideDriver 200-M

* 3,000 ft/hr expected duty cycle. ** 2,000 ft/hr expected duty cycle. Actual duty cycle depends on site specific conditions and gate configuration. ***All 50Hz voltages and 575V 3Ø are special order.

To enable fully automatic operation, this gate operator requires a MINIMUM of one external entrapment protection sensor to monitor potential entrapment zones in either the open or close direction of travel. Visit www.hysecurity.com/gatesafety for more information on UL 325 standards and gate safety.

SYSTEM DESIGN SUPPORT: Contact HySecurity for CAD drawings, technical manuals, help with custom site requirements or other specifications support. Download operator specifications online at www.hysecurity.com or call to speak with a HySecurity representative today.



1-800-321-9947 • www.hysecurity.com | 1-800-226-0178 • www.niceforyou.us

Manufacturer of ultra-reliable high security, industrial, commercial, residential, parking and crash gate operators and accessories.