

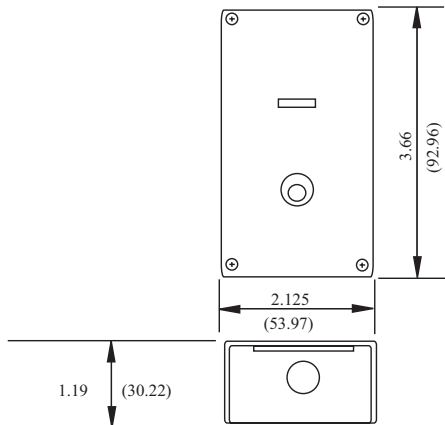


- Form C contact
- Metal housing
- Key reset
- Silent operation
- Status window indicator (armed, alarmed)
- Mechanical operation
- Terminals for easy wiring

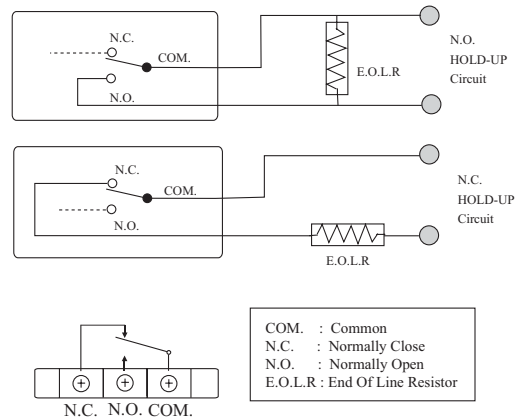
The HUSK-20 is a mechanical hold-up switch designed for silent operation. It is activated by using one finger to press down on the switch. When activated, the switch mechanism locks, insuring an immediate alarm signal. A status window designed on top of the hold-up switch indicates its condition: RED (alarmed) and BLUE (armed). To reset the HUSK-20, use the key provided. The housing is made of metal and is painted gray.

The hold-up switch sends a signal to a dedicated 24 hour hold-up circuit of a burglar control panel. That signal in turn will send the immediate signal to police or central station.

### Dimensions



### Typical Wiring



### Specifications

Model Number	Stock Number	Contact Type	Contact Rating			Screw Terminals Capacity	Operating Temperature Range
			125V DC	30V DC	125V AC		
HUSK-20	4370038	N.O./N.C.	0.4A	5A	5A	AWG #18	-4°F - 176°F (-20°C - 80°C)
KEY	4370039						