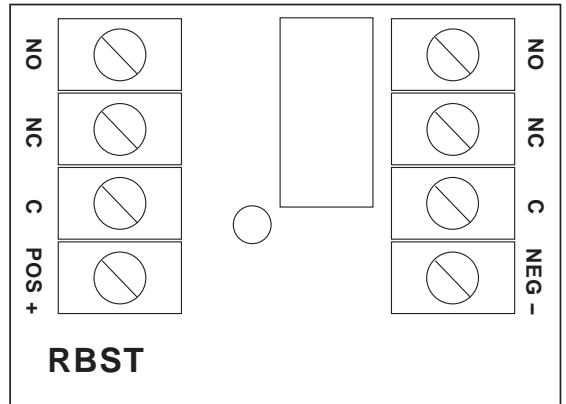
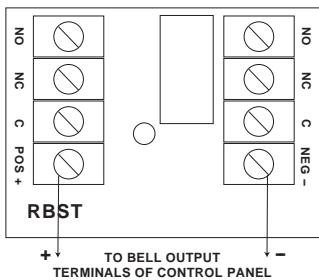


Specifications:

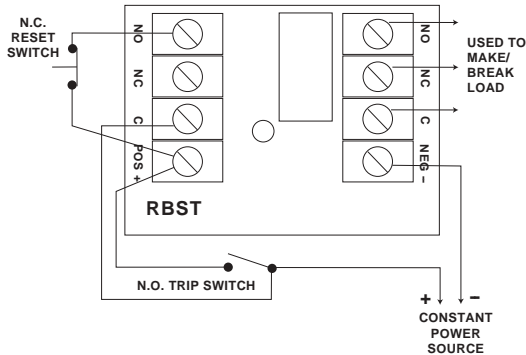
- 6VDC or 12VDC or 24VDC selectable operation.
 - Coil draws 25mA.
 - 2 amp/120VAC/28VDC DPDT contacts.
 - Snap track mountable (order part # ST1).
- Board dimensions: 2.75"L x 2"W x 1"H



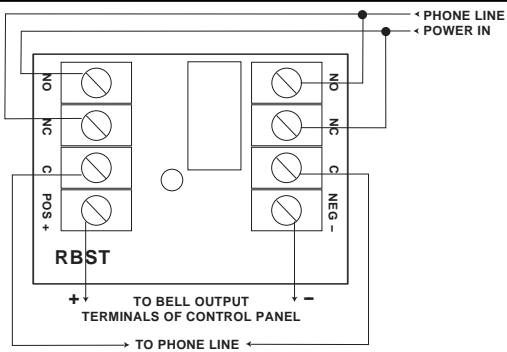
Dry Contacts



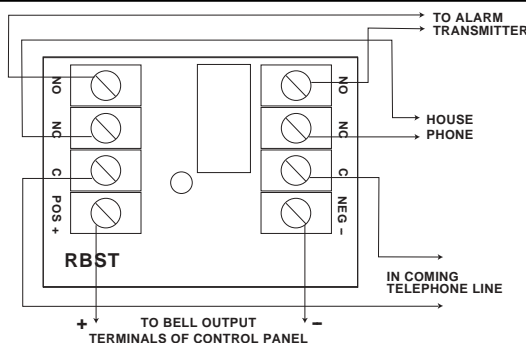
Latching Dry Contacts



Polarity Reversal



Line Seizure



Altronix is not responsible for any typographical errors. Product specifications are subject to change without notice.