

Overview

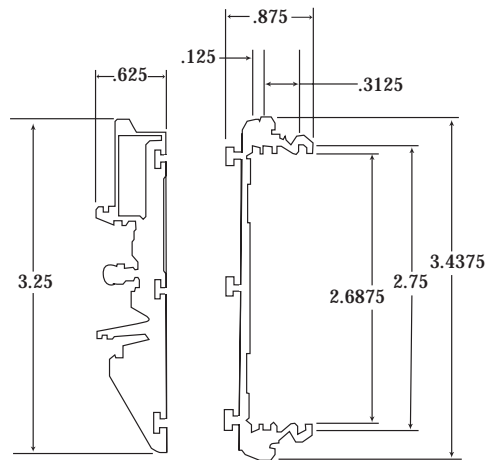


- This unit converts a low voltage AC input into 6VDC, 12VDC or 24VDC output. These general purpose power supplies have a wide range of applications for access control, security and CCTV system accessories that require additional power.

Specifications

- | | |
|---|---|
| <ul style="list-style-type: none"> • 6VDC, 12VDC or 24VDC selectable outputs. • 4 amp supply current. • Filtered and electronically regulated output. • Short circuit and thermal overload protection. • Battery short circuit protection (circuit breaker). • Built-in charger for sealed lead acid or gel type batteries. • Maximum charge current .3 amp. | <ul style="list-style-type: none"> • Automatic switch over to stand-by battery when AC fails (zero voltage drop). • AC input and DC output LED indicators. • Extremely compact design. • Includes Snap Trac (Altronix model # ST3) and mounting clips for DIN Rail mounting capability. |
|---|---|

ST3 Mechanical Drawing



Board Dimensions (approximate):

3.5" H x 2.75" W x 1.75" H

