



AL176UL, AL176ULX UL Listed Access Control Power Supply/Charger

Rev. DSAL176UL- A24F

Overview



- These Altronix power limited power supply/chargers that will convert 115VAC / 60Hz input, into two individually PTC protected 12VDC or 24VDC output, (see specifications).

AL176UL

- 12VDC or 24VDC @ 1.75 amp supply current.

AL176ULX

- AL176UL w/larger enclosure.

Specifications

- | | |
|--|--|
| <ul style="list-style-type: none"> • Selectable 12VDC or 24VDC power limited output. • 1.75 amp continuous supply current. • Input 115VAC/60Hz, .6 amp. • Filtered and electronically regulated output. • Short circuit and thermal overload protection. • Maximum charge current: 400mA. • Automatic switch over to stand-by battery when AC fails (zero voltage drop). • AC fail supervision (form "C" 1 amp @ 28VDC). | <ul style="list-style-type: none"> • Low battery supervision (form "C" 1 amp @ 28VDC). • AC input and DC output LED indicators. • Product weight: <ul style="list-style-type: none"> - AL176UL: 5.3 lbs. - AL176ULX: 8.5 lbs. • Shipping weight: <ul style="list-style-type: none"> - AL176UL: 5.8 lbs. - AL176ULX: 9.5 lbs. |
|--|--|

Agency Approvals



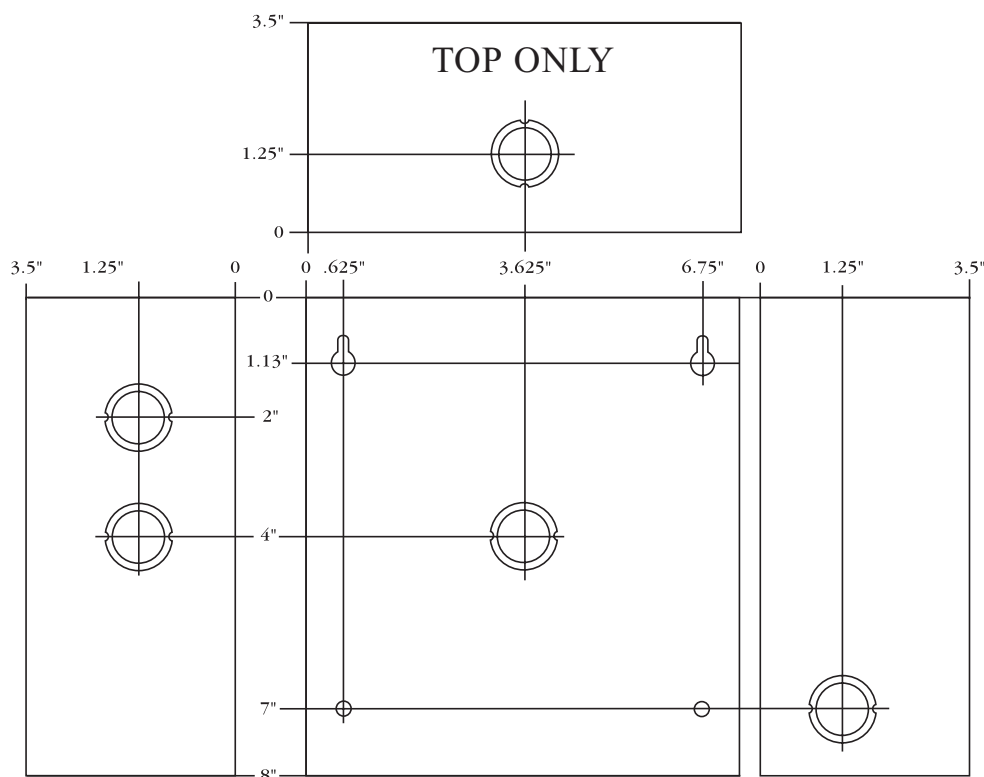
UL Listed for Access Control System Units (UL 294).



CUL Listed - CSA Standard C22.2 No.205-M1983, Signal Equipment.

Enclosure Dimension

AL176UL: 8.5"H x 7.5"W 3.5"D



Enclosure Dimension

AL176ULX: 13"H x 13.5"W 3.25"D

